

PERFORMANCE DATA SHEET NEMA PREMIUM NR CAN NEMA 12 - 12

Catalogue #: MPP-102

HP	kW	Voltage	S.F. @ 60Hz	EFF.	P.F.	Frame	Design	L.R. Amps
250	186,50	575	1,15	96,2%	0,87	449T	B	1460

60 Hz								Code	F.L. RPM
FLA									
208	230	416	460	480	575	600		G	1790
/	/	/	/	/	224	/			

50 Hz								Code	F.L. RPM
FLA			S.F. @ 50Hz	Efficiency	Power Factor				
190	380	415				/	/	/	/
/	/	/							

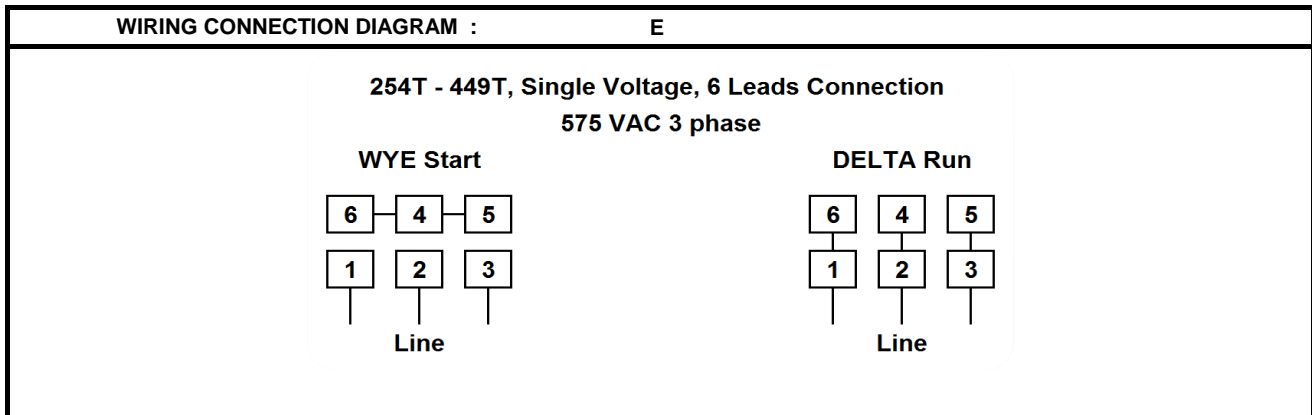
Wgt. Lbs	PH	Duty	Insul. Class	Amb.	Elevation	Temp. Rise° C
2750	3	Cont.	F	40°C	1000M (3300 Ft)	< 80

% Efficiency		% Power Factor		Torque		Winding Resist. Ω	Safe Cold Start (Secs)
Full Load:	96,2%	Full Load:	0,87	Full Load Ft/Lbs	733,5		
3/4 Load:	96,0%	3/4 Load:	0,86	Locked Rotor %	140		
1/2 Load:	95,3%	1/2 Load:	0,80	Break Down %	250		

Rotor Inertia Wk2 Lb-Ft2	Max Load Inertia Wk2 Lb-Ft2	Shaft Material	Frame Material	DE Bracket Type	ODE Bracket Type	Enclosure	NEMA Rating	Lead Wire Size
80,68	1290	Standard	Cast Iron	Standard	Standard	TEFC	IP55	2AWG

Ball Bearings		Grease	Mount Type	Orientation	Paint	Sound Pressure @ 3FT	Sound Power
DE	ODE						
NU319	6318	Mobil PolyrexEm	Rigid	Horizontal	Green	93	105

Inverter Duty. Motor meets MG1 parts 31.4.4.2	Constant Torque Range	Variable Torque Range	Constant HP RPM
		10:1	20:1

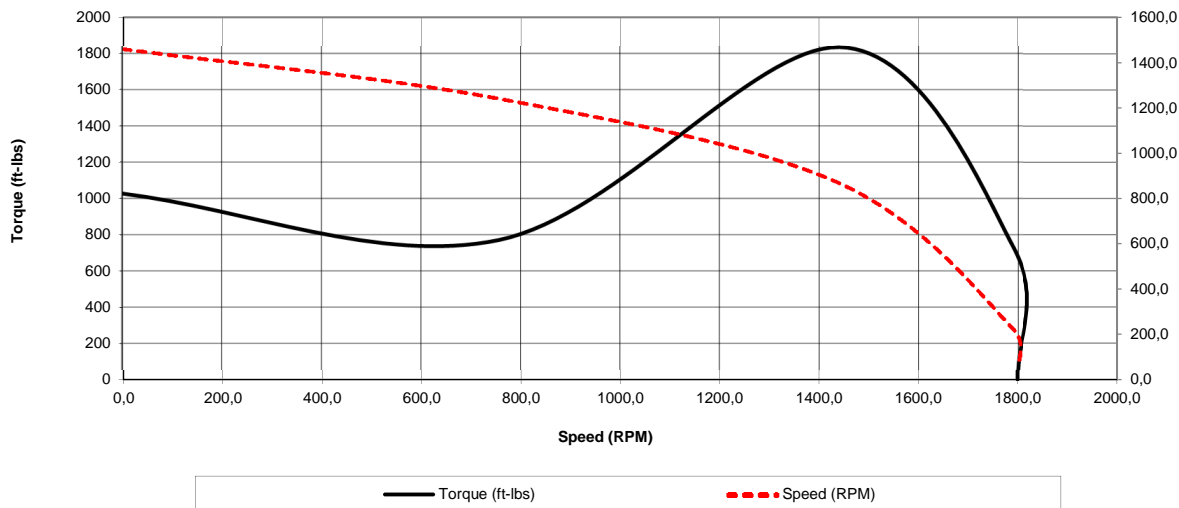


Date: 2020-02-27
 Customer: _____
 Contact: _____
 Submittee: J.C. Lavallée

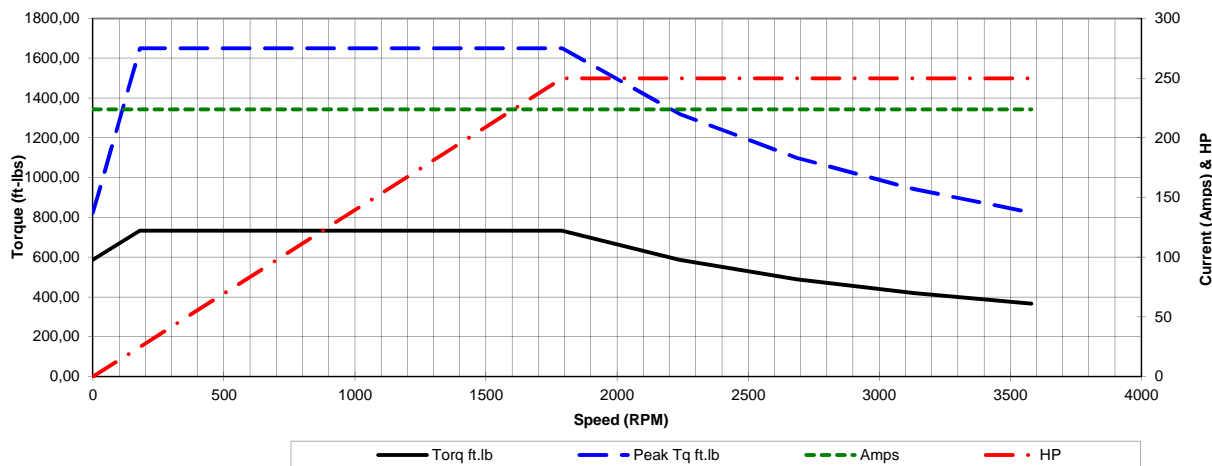
Catalogue #: **MPP-102**

NEMA PREMIUM NR CAN NEMA 12 - 12										
HP	VAC	RPM	Enclosure	Frame	Frequency	Design	Poles	LR Code Letter	Insulation Class	Temp. Rise °C
250	575	1790	TEFC	449T	60	B	4	G	F	< 80
	0Hz	6Hz	15Hz	30Hz	45Hz	60Hz	75Hz	90Hz	105Hz	120Hz
Amps	224	224	224	224	224	224	224	224	224	224
RPM	0	179	447,5	895	1342,5	1790	2237,5	2685	3132,5	3580
Torq ft.lb	586,82	733,52	733,52	733,52	733,52	733,52	586,82	489,01	419,15	366,76
Peak Tq ft.lb	825,21	1650,42	1650,42	1650,42	1650,42	1650,42	1320,34	1100,28	943,10	825,21
HP	0	25,0	62,5	125,0	187,5	250,0	250,0	250,0	250,0	250,0
	Locked Rotor	Pull-Up	Breakdown	Rated Load	Idle	Duty	S. F.	Ambient	Elevation	dBA @ 1M
Speed (RPM)	0,0	756	1440	1790	1800	Continuous	1,15	40°C	3300 ft	93
Current (Amps)	1460,0	1241,0	868,7	224,0	56,2	VFD Rating: Meets MG1 parts 31.4.4.2				
Torque (ft-lbs)	1026,9	770,2	1833,8	733,5	0,0	C.T.	10:1	V.T.	20:1	

Motor Speed Data



Motor Torque Capability vs RPM



Date: 2020-02-27
 Customer: _____
 Contact: _____
 Submittee: J.C. Lavallée

Catalogue #: **MPP-102**

NEMA PREMIUM NR CAN NEMA 12 - 12										
HP	VAC	RPM	Enclosure	Frame	Frequency	Design	Poles	LR Code Letter	Insulation Class	Temp. Rise °C
250	575	1790	TEFC	449T	60	B	4	G	F	< 80
Load %	0%	25%	50%	75%	100%	125%	150%			
Amps	56,22	80,08	122,98	171,36	224,00	267,39	325,88			
Torq ft/lbs	0	182,61	365,74	549,37	733,52	918,18	1103,36			
RPM	0	1797,5	1795	1792,5	1790	1787,5	1785			
Eff	0	83,04	95,30	96,00	96,20	96,20	96,20			
PF	0	70,4	80	86	87	91	89,6			
	Locked Rotor	Pull-Up	Breakdown	Rated Load	Idle	Duty	S. F.	Ambient	Elevation	dBA @ 1M
Speed (RPM)	0	756	1440	1790	1800	Continuous	1,15	40°C	3300 ft	93
Current (Amps)	1460	1241,0	868,7	224	56,224	VFD Rating: Meets MG1 parts 31.4.4.2				
Torque (ft-lbs)	1026,93	770,20	1833,80	733,52	0,0	C.T.	10:1	V.T.	20:1	

